

DSXPM5-Series SMART Transmit Power Monitor (VHF, UHF, 700/800/900 MHz)

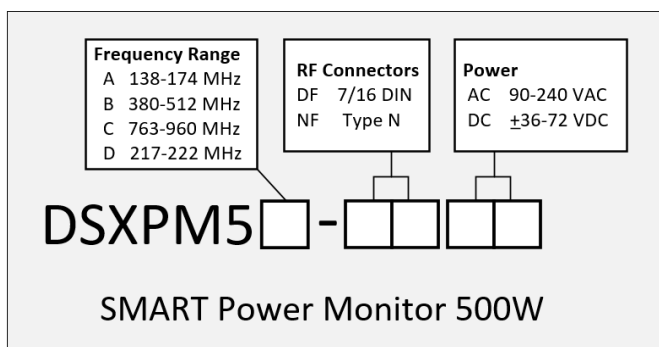


DSXPM Power Monitor with 7/16 DIN connectors shown

Features and Benefits

- ❖ SMART Transmit Power Monitor continuously measures forward and reflected RF power of a single-channel simplex system or composite power of a multi-channel system with separate TX and RX antennas
- ❖ PIM rated to -150 dBc
- ❖ User-defined alarm points are indicated by alarm relay closure or by SNMP protocol on network
- ❖ IP Network connection and Web Browser Interface for remote configuration and monitoring
- ❖ Front panel 4.3" touchscreen LCD display for local configuration and monitoring, LED indicators for alarm conditions
- ❖ Can be used to locally tune cavity combiners with no test equipment

Ordering Information



Specifications

Electrical Specifications	
Frequency Range, MHz	See Ordering information below
Power Sensor	Directional
Maximum Power Input	500 watts
Impedance, Ohms	50
Measurement Units	Watts, dBm, VSWR, Return Loss
Insertion Loss, dB	< 0.1
PIM	-150 dBc
Modulation Type:	P25 Phase 1 or 2
Smart Tune	Capable of tuning a cavity combiner with no test equipment
Digital Input, PTT line	One, pull to ground (<i>future use</i>)
Output Alarm Relay	Form "C"
Temperature Range	-30 to +60 °C
Power Requirements	AC Model 90-240 VAC 15W, or DC model ±36-72 VDC 15W
IP Interface	IPV4, with TLS security layer, SNMP V2c/V3 alarm protocol
Alarms	SNMP V2c/V3 or dry contact
User Interface	Web Browser, front panel display, or remote IP System Manager
Mechanical Specifications	
Front Panel LCD Display	4.3" Touchscreen
Mounting	3.5" x 19" 2 RU EIA panel, Black
Construction / Finish	Aluminum / Clear Chem Film
RF Connectors	7/16 DIN Female
Ethernet Connector	RJ-45
Power Connector	AC model: IEC 320C13 AC Inlet & cord DC model: 2 Port Terminal Block
Digital Input & Alarm Closure Connector	8 port terminal block

Typical Application

