

DSPM Series (100-2700 MHz)

RF Power Monitor

ELECTRICAL SPECIFICATIONS

Frequency Range, MHz	See ordering information
Power Alarm Ranges, Watts	0 to 10, 0 to 100, 0 to 350, 0 to 500
Power Sensor	Bidirectional
Power Handling, Watts	1000 maximum forward or reflective
Impedance, Ohms	50
VSWR Alarm Range	1.0:1 to 24.9:1
Insertion Loss, dB	<0.1
Sensor Passive IM, dBc	-150 maximum
RF Power Resolution, Watts	0.1, (0.01 Watts for 0-10 Watts version)
Accuracy	2%, may require site calibration
Digital Input, PTT line	One, pull to ground, PTT
Output Relay	Form "C", 1 A @ 30 VDC
Temperature Range, Degrees	-30 to +60 C, -20 to +60 C for LCD
Power Requirement	DC: 9 to 30 VDC < 1 Watt AC: 120 VAC, 50/60 Hz <18 VA

MECHANICAL SPECIFICATIONS

Display	Backlit LCD
Mounting	Stand-alone or Cable
Construction / Finish	Steel / Black
RF Connectors	N or 7/16 DIN
USB Connector	USB-mini-B
Ethernet Connector	RJ-45 10/100
Power, alarm out, PTT line in	8 port terminal block

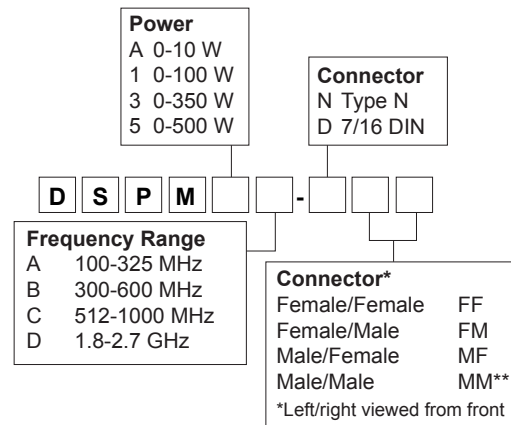
DIMENSIONS

Width, in(cm)	5.12 (13.0)
Height, in(cm)	3.75 (9.5)
Depth, in(cm)	1.34 (0.86)
Net Weight, lb(kg)	1.5 (0.68)
Shipping Weight, lb(kg)	2.2 (1.0)

FEATURES AND BENEFITS

- Measures forward and reflected power.
- Ethernet with browser access for setup, status and control.
- Analog FM, digital FDMA, CDMA, TDMA radio transmitter compatible.
- Warning and alarm notification via email, SMS and SNMP traps.
- LED indicators for alarms, power, Ethernet send/receive.
- Timers for keyed and unkeyed (with PTT line input) time.
- Telnet access.
- Backlit LCD for display of forward and reflected power, VSWR, power supply voltage, temperature (external sensor), alarm status and timer (keyed/unkeyed).

ORDERING INFORMATION



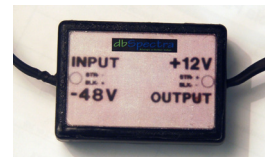
E.g., model number: DSPM3A-NFF
** NMM not available.

ACCESSORIES

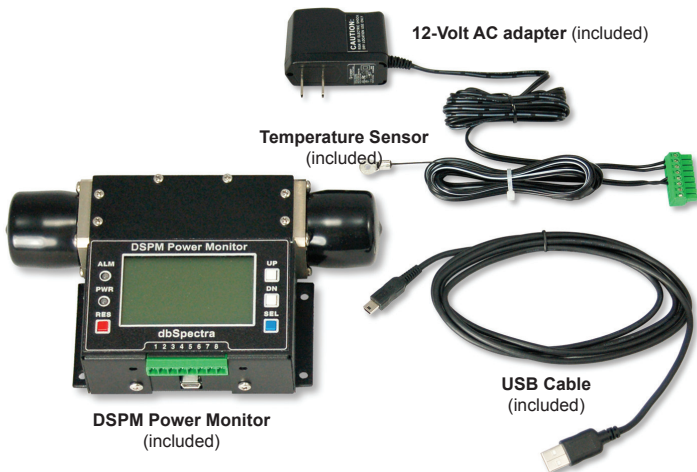
DSPM-PANEL Single unit panel mount kit, 2RU, 19-inch rack mount. Not included, must be purchased separately.

NOTES

1. AC power adapter is included.
2. External temperature sensor is included.
3. Field calibrate on system frequencies for best accuracy.



For DC power order #DSPM4812VDC (-48VDC to +12VDC, 3 ft input/output dual conductor cables, open-ended)



DSPM-PANEL (optional accessory)
Single unit panel mount kit, 2 RU, 19-inch rack mount.
Not Included, must be purchased separately.



DSPM-PANEL2 (optional accessory)
Dual unit panel mount kit, 2 RU, 19-inch rack mount.
Not Included, must be purchased separately.