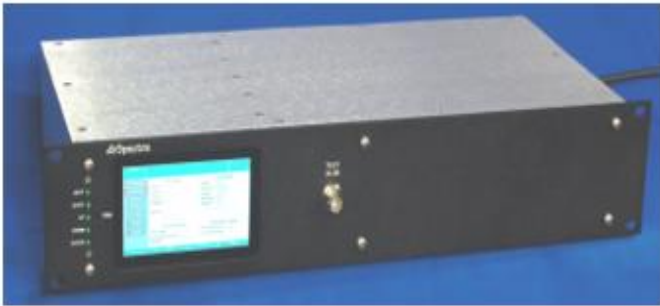


DSXRMC-Series Smart Receiver Multicoupler



8-16 Channel VHF and UHF Models



DSXRMC-Series Smart Receiver Multicoupler

Features and Benefits

- Dual Redundant LNA's with automatic switching between Amps A and B.
- Automatic bypass mode in case of LNA failure
- Built-in IP network interface for remote monitoring and configuration; includes TLS Security Layer, SNMP V2c/V3 alarm traps for alarm management.
- 8 or 16 channels in a 2 RU chassis (field expandable to 16 channels for UHF model only).
- Includes provision for connection of external post-filter for additional selectivity without impacting system noise figure.
- Integrated Test Port facilitates accurate receiver sensitivity testing. Test port includes an internal load that can be switched in and out of the antenna connection via the front panel display or web browser.
- Remote RF monitoring via SNMP of high-level carriers that could degrade system performance.
- Self-terminating splitter outputs. No loads necessary.

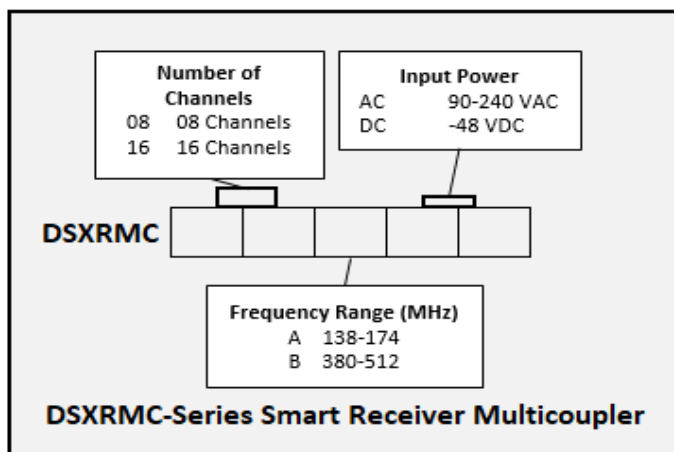
Specifications

Electrical Specifications		
Frequency Range	See Ordering Information	
Number of Channels	See Ordering Information	
System Gain & Noise Figure		
Frequencies	Gain (Typical)	Noise Figure (Typical)
138 – 174 MHz 8 CH Model 16 CH Model	13.0 dB 10 dB	2.9 dB 2.9 dB
380 – 512 MHz 8 CH Model 16 CH Model	15 dB 15 dB	2.5 dB 2.5 dB
Low Noise Amplifier (LNA) Type	Quadrature Coupled	
Output IP3	➤ +40 dBm	
Adjustable Attenuator	Electronic, 0 – 15 dB, 0.25 dB steps	
Test Port Instrument Connection	Front Panel BNC	
Post-LNA Filter Connections	Available on Rear Panel	
RX – RX Port Isolation	>20 dB	
Input / Output Return Loss	14 dB (Normal)/ 12 dB (bypass)	
Power Input	AC Model: 90-240 AC (< 31 Watts) DC Model: -48 VDC (< 31 Watts) (36-72 VDC isolated)	
User Interface	Web Browser or Front Panel Touchscreen Display	
IP Interface	IPv4, TLS Security Layer, SNMP Alarms V2C/V3	
Mechanical Specifications		
RF Connectors	<ul style="list-style-type: none"> ✓ RF Input: N Female ✓ RF Outputs: BNC Female (rear) ✓ Test Port: BNC Female (front) ✓ RF External Filter Ports: N female 	
IP Interface Connector	RJ45	
Dry Contact Alarm Connector	Block Type	
Mounting	19" x 3.5" 2 RU Panel, depth 11.5" including connectors	
Grounding Provision	(2) ¼" -20 for 2 hole lugs with ¾" center to center spacing	
Temperature Range	✓ 0°C to +50° C	
Weight / Shipping Weight approx.	8 lbs. / 12 lbs.	

DSXRMC-Series Smart Receiver Multicoupler

8-16 Channel VHF and UHF Models

Ordering Information



- DSXRMC-EXP8: Channel Expansion Kit (Includes splitter and cable assembly) for UHF model only
- DSXRMC-PSAC: AC redundant power supply
- DSXRMC-PSDC: -48 VDC redundant power supply

